

JAMES MILLEN

MANUFACTURING COMPANY, INC.

Radio Engineers and Manufacturers

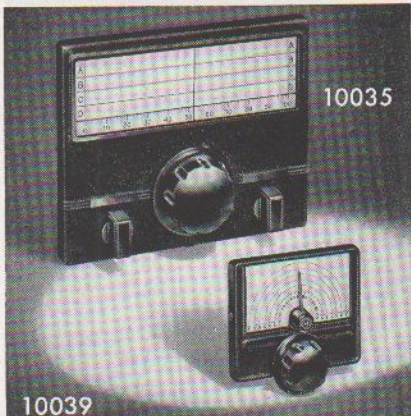


CONDENSED GENERAL CATALOG

1948

JAMES M MILLEN

MALDEN · MASSACHUSETTS

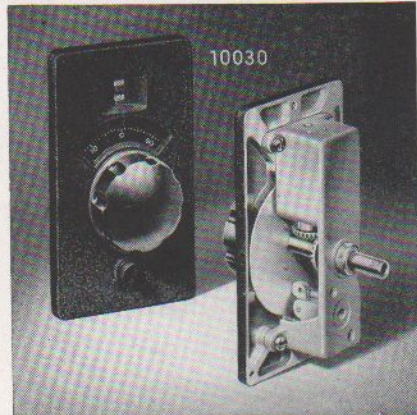


INSTRUMENT DIALS

The No. 10030 is an extremely sturdy instrument type indicator. Control shaft has 1 to 1 ratio. Veeder type counter is direct reading in 99 revolutions and vernier scale permits readings to 1 part in 100 of a single revolution. Has built-in dial lock and 1/4" drive shaft coupling. May be used with multi-revolution transmitter controls, etc., or through gear reduction mechanism for control of fractional revolution capacitors, etc., in receivers or laboratory instruments.

The No. 10035 illuminated panel dial has 12 to 1 ratio; size, 8 1/2" x 6 1/2". Small No. 10039 has 8 to 1 ratio; size, 4" x 3 1/4". Both are of compact mechanical design, easy to mount and have totally self-contained mechanism, thus eliminating back of panel interference. Provision for mounting and marking auxiliary controls, such as switches, potentiometers, etc., provided on the No. 10035. Standard finish, either size, flat black art metal.

No. 10039 \$ 2.70
 No. 10030 25.00
 No. 10035 6.00



PANEL MARKING TRANSFERS

The panel marking transfers have 1/4" black letters. Special solution furnished. Must not be used with water. Equally satisfactory on smooth or wrinkle finished panels or chassis. Ample supply of every conceivable word or marking required for amateur or commercial equipment.

No. 59001, white letters \$1.25
 No. 59002, black letters 1.25

9'er MATCHING PREAMPLIFIER

The Millen 92101 is an electronic impedance matching device and a broad-band preamplifier combined into a single unit, designed primarily for operation on 6 and 10 meters. Coils for 20 meter band also available.

No. 92101, less tubes \$24.75

HIGH FREQUENCY TRANSMITTER

The No. 90810 crystal control transmitter provides 75 watt output (higher output may be obtained by the use of forced cooling) on the 10-11, 6 and 2 meter amateur bands. Provisions are made for quick band shift by means of the new 48000 series high frequency plug-in coils.

No. 90810, less tubes and crystals \$69.75

HIGH VOLTAGE POWER SUPPLY

The No. 90281 high voltage power supply has a d.c. output of 700 volts, with maximum current of 250 ma. In addition, a.c. filament power of 6.3 volts at 4 amperes is also available so that this power supply is an ideal unit for use with transmitters, such as the Millen No. 90800, as well as general laboratory purposes. The power supply uses two No. 816 rectifiers and has a two section pi filter with 10 henry General Electric chokes and a 2-2-10 mfd. bank of 1000 volt General Electric Pyranol capacitors. The panel is standard 8 3/4" x 19" rack mounting.

No. 90281, less tubes \$84.50

NEUTRALIZING CAPACITOR

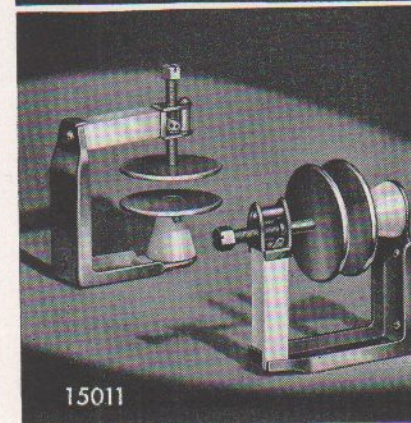
Designed originally for use in our own No. 90881 Power Amplifier, the No. 15011 disc neutralizing capacitor has such unique features as rigid channel frame, horizontal or vertical mounting, fine thread over-size lead screw with stop to prevent shorting and rotor lock. Heavy rounded-edged polished aluminum plates are 2" diameter. Glazed Steatite insulation.

No. 15011 \$3.15

RF POWER AMPLIFIER

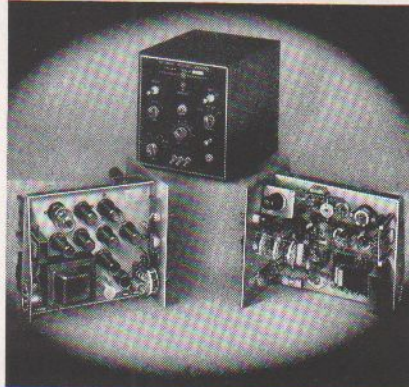
This 500 watt amplifier may be used as the basis of a high power amateur transmitter or as a means for increasing the power output of an existing transmitter. As shipped from the factory, the No. 90881 RF power amplifier is wired for use with the popular RCA or G.E. "812" type tubes, but adequate instructions are furnished for readjusting for operation with such other popular amateur style transmitting tubes as Taylor TZ40, Eimac 35T, etc. The amplifier is of unusually sturdy mechanical construction, on a 10 1/2" relay rack panel. Plug-in inductors are furnished for operation on 10, 20, 40 or 80 meter amateur bands. The standard Millen No. 90800 exciter unit is an ideal driver for the new No. 90881 RF power amplifier.

No. 90881, with one set of coils, but less tubes \$89.50



JAMES MILLEN

MALDEN · MASSACHUSETTS



SECONDARY FREQUENCY STANDARD

A precision frequency standard for both laboratory and production uses, adjustable output, provided at intervals of 10, 25, 100 and 1000 kc, with magnitude useful to 50 mc. Harmonic amplifier with tuned plate circuit and panel range switch. 800 cycle modulator with panel control switch. In addition to oscillators, multivibrators, modulators and amplifiers, a built-in detector with phone jack and gain control is incorporated. Self-contained power supply.

Model 90505, with tubes \$155.00

ABSORPTION WAVEMETERS

The 90600 series of absorption wavemeters are available in several styles and many different ranges. Most popular is kit of four units, covering range of 3.0 to 140 mc.

Model 90600 \$18.00

FREQUENCY CALIBRATORS

The cavity type frequency calibrator covers a range of 200 to 700 mc., with a maximum error of not over 0.25%. This range is covered by two plug-in cavity type tuning units, which may be easily interchanged. The calibrator consists of an accurately calibrated cavity-type tuning unit, a crystal detector, a two-stage video amplifier and a peak reading VT voltmeter.

Model 90630, with tubes \$375.00

SYNCHROSCOPES

The 5" synchroscopes are available with and without detector-video strips.

Model P-4, with tubes \$300.00

Model P-4E, with tubes 395.00

OSCILLOSCOPES

The basic type 2" oscilloscope is complete with power supply, focusing and centering controls and 60 cycle sweep, for use in normal form for transmitter monitoring or as basic unit for addition of specially designed external sweeps, amplifiers, etc., for specialized applications.

Model 90902, less tubes \$42.50

REGULATED POWER SUPPLIES

A compact, uncased, regulated power supply, either for table use in the laboratory or for incorporation as an integral part of larger equipments. 50 watts, with regulated voltage from 0 to 200 volts.

Model 90201, less tubes \$100.00

FREQUENCY SHIFTER

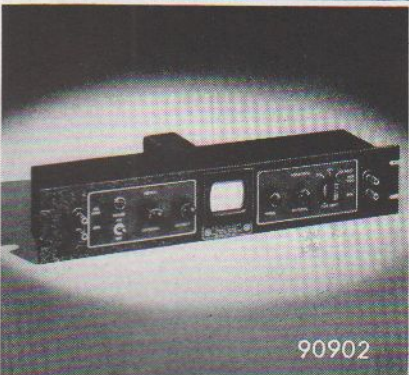
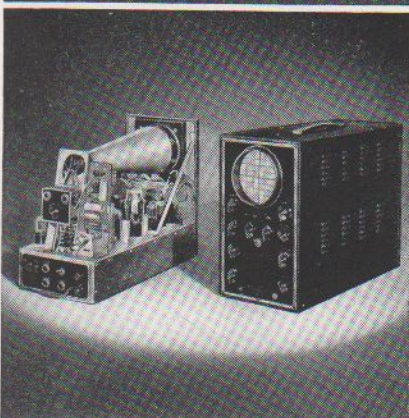
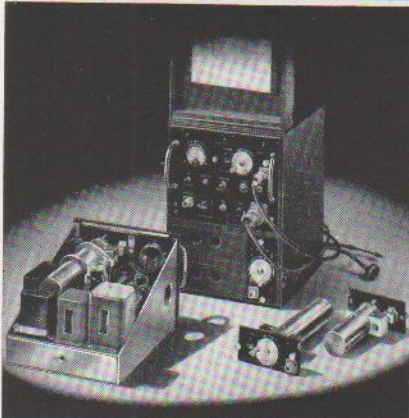
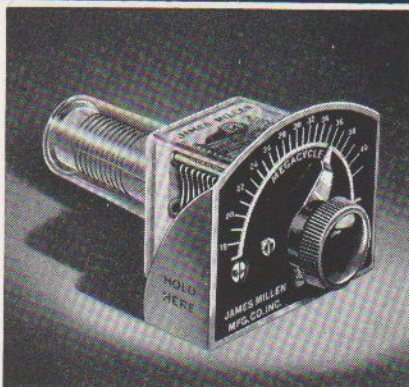
A favorite frequency shifter, plugs in, in place of crystal, for instant finger-tip control of carrier frequency. Low drift, chirpless keying, vibration immune, big band spread, accurate calibration.

Model 90700, with tubes \$42.50

50 WATT TRANSMITTER

Based on an original Handbook design, this flexible unit is ideal for either low power amateur band transmitter use or as an exciter for high power PA stages.

Model 90800, less tubes \$42.50



90902



90201



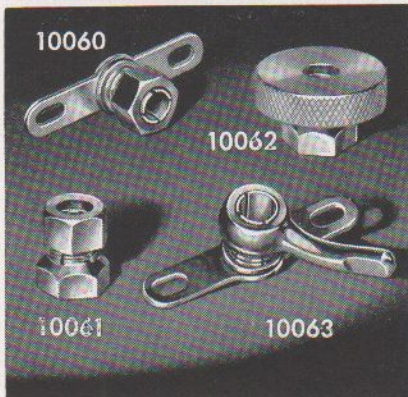
90700



90800

JAMES MILLEN

MALDEN · MASSACHUSETTS



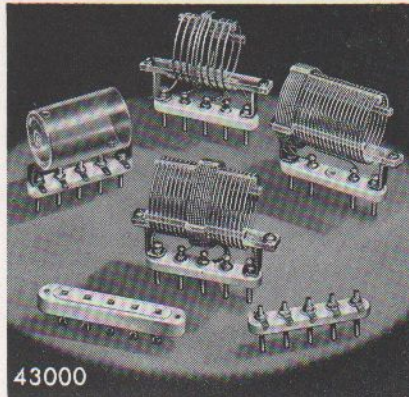
SHAFT LOCKS

In addition to the original No. 10060 and No. 10061 "DESIGNED FOR APPLICATION" shaft locks, we can also furnish such variations as the No. 10062 and No. 10063 for easy thumb operation as illustrated above. The No. 10061 instantly converts any plain $\frac{1}{4}$ " shaft" volume control, condenser, etc. from "plain" to "shaft locked" type. Each to mount in place of regular mounting nut.

No. 10060.....	\$.36
No. 10061.....	.36
No. 10062.....	.45
No. 10063.....	.45

TRANSMITTING TANK COILS

A full line—all popular wattages for all bands. Send for special catalog.



DIAL LOCK

Compact, easy to mount, positive in action, does not alter dial setting in operation! Rotation of knob "A" depresses finger "B" and "C" without imparting any rotary motion to Dial. Single hole mounted.

No. 10050.....	\$.45
----------------	--------

RIGHT ANGLE DRIVE

Extremely compact, with provisions for many methods of mounting. Ideal for operating potentiometers, switches, etc., that must be located, for short leads, in remote parts of chassis.

No. 10012.....	\$3.75
----------------	--------

THRU-BUSHING

Efficient, compact, easy to use and neat appearing. Fits $\frac{1}{4}$ " hole in chassis. Held in place with a drop of solder or a "nick" from a crimping tool.

No. 32150.....	\$.05
----------------	--------

FLEXIBLE COUPLINGS

The No. 39000 series of Millen "Designed for Application" flexible coupling units include, in addition to improved versions of the conventional types, also such exclusive original designs as the No. 39001 insulated universal joint and the No. 39006 "slide-action" coupling (in both steatite and bakelite insulation).

The No. 39006 "slide-action" coupling permits longitudinal shaft motion, eccentric shaft motion and out-of-line operation, as well as angular drive without backlash.

The No. 39005 is similar to the No. 39001, but is not insulated and is designed for applications where relatively high torque is required. The steatite insulated No. 39001 has a special anti-backlash ball and socket grip feature, which, however, limits its serviceable operation to torques of six inch-pounds, or less. All of the above illustrated units are for $\frac{1}{4}$ " shaft and are standard production type units.

No. 39001.....	\$.36
No. 39002.....	.36
No. 39003.....	.21
No. 39005.....	.36
No. 39006.....	.36

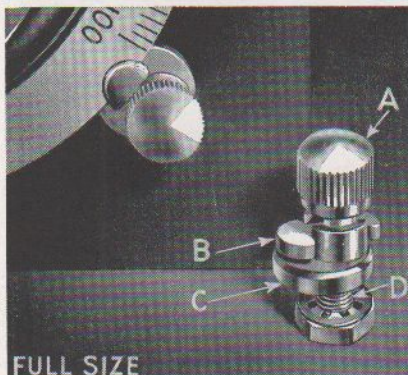
CATHODE RAY TUBE SHIELDS

For many years we have specialized in the design and manufacture of magnetic metal shields of nicoloi and mumetal for cathode ray tubes in our own complete equipment, as well as for applications of all other principal complete equipment manufacturers. Stock types as well as special designs to customers' specifications promptly available.

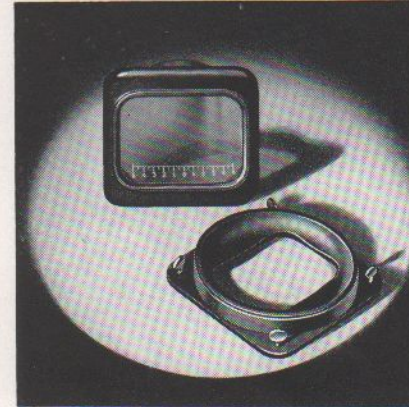
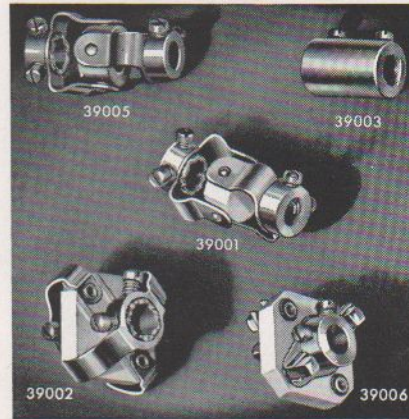
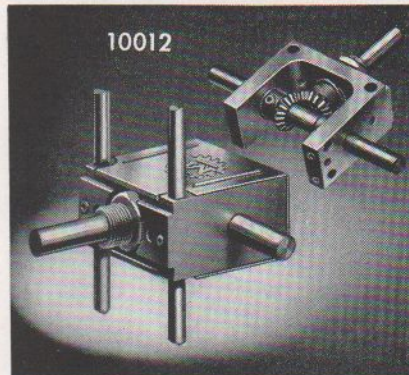
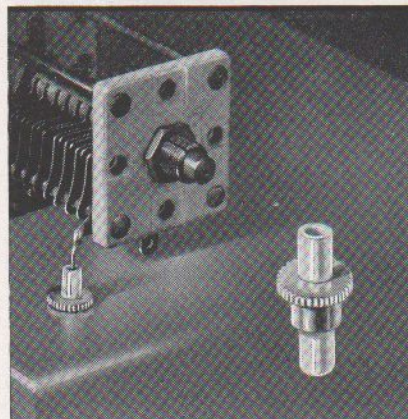
BEZELS FOR CATHODE RAY TUBES

Bezel of cast aluminum with black wrinkle finish. Complete with neoprene cushion, green lucite filter scale and four "behind the panel" thumb screws for quick detachment from panel when inserting tube.

No. 80075—5".....	\$7.50
No. 80073—3".....	3.90
No. 80072—2".....	1.25

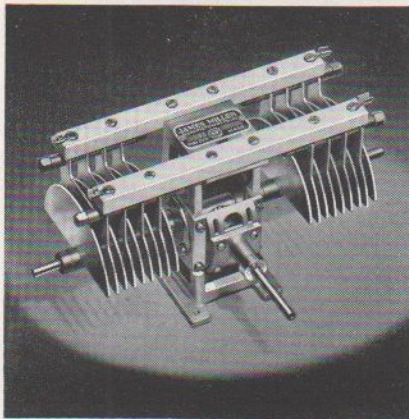


FULL SIZE



JAMES MILLEN

MALDEN · MASSACHUSETTS

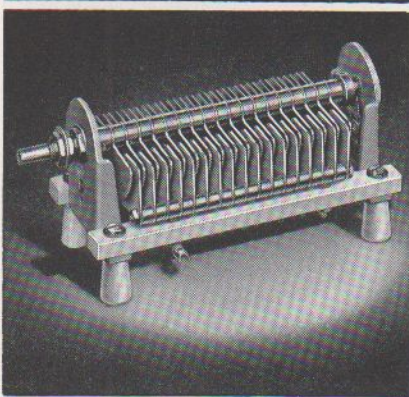
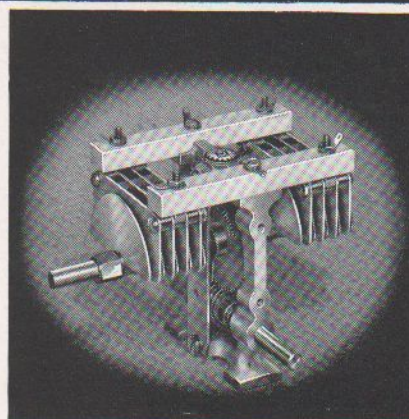


04000 and 11000 SERIES TRANSMITTING CONDENSERS

A new member of the "Designed for Application" series of transmitting variable air capacitors is the 04000 series with peak voltage ratings of 3000, 6000, and 9000 volts. Right angle drive, 1-1 ratio. Adjustable drive shaft angle for either vertical or sloping panels. Sturdy construction, thick, rounded, polished aluminum plates with 1 3/4" radius. Constant impedance, heavy current, multiple finger rotor contactor of new design. Available in all normal capacities.

The 11000 series has 16/1 ratio center drive and fixed angle drive shaft.

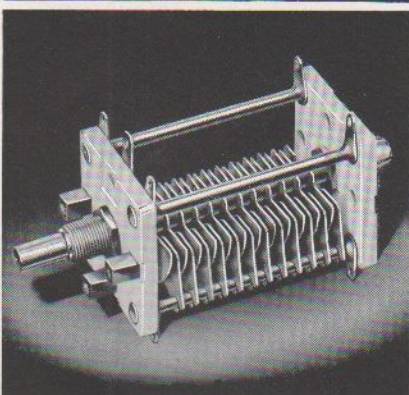
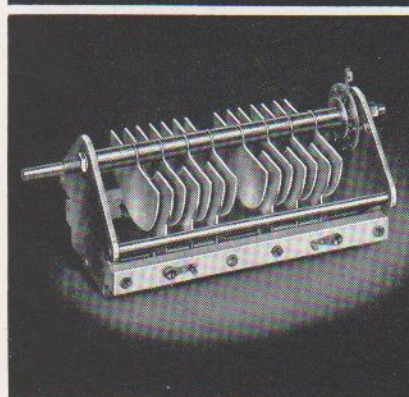
Code	Volts	Capacity	Price
11035	3000	35	\$ 6.90
11050	3000	50	7.14
11070	3000	70	7.80
04050	6000	50	16.00
04060	9000	60	18.00
04100	6000	90	18.00
04200	3000	205	20.00



12000 and 16000 SERIES TRANSMITTING CONDENSERS

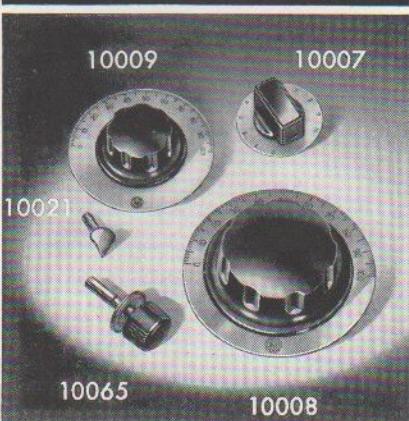
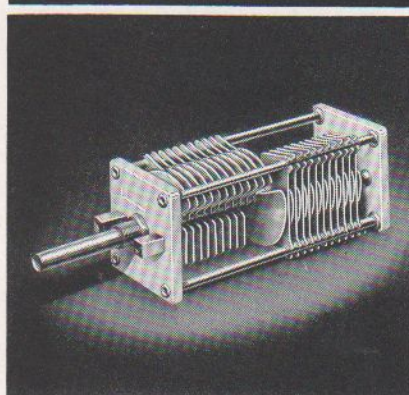
Rigid heavy channeled aluminum end plates. Isolantite insulation, polished or plain edges. One piece rotor contact spring and connection lug. Compact, easy to mount with connector lugs in convenient locations. Same plate sizes as 11000 series above.

The 16000 series has same plate sizes as 04000 series. Also has constant impedance, heavy current, multiple finger rotor contactor of new design. Both 12000 and 16000 series available in single and double sections and many capacities and plate spacing.



THE 28000-29000 SERIES VARIABLE AIR CAPACITORS

"Designed for Application," double bearings, steatite end plates, cadmium or silver plated brass plates. Single or double section .022" or .066" air gap. End plate size: 19/16" x 11/16". Rotor plate radius: 3/4". Shaft lock, rear shaft extension, special mounting brackets, etc., to meet your requirements. The 28000 series has semi-circular rotor plate shape. The 2900 series has approximately straight frequency line rotor plate shape. Prices quoted on request. Many stock sizes.



DIALS

Just a few of the many stock types of small dials and knobs are illustrated herewith. 10007 is 1 5/8" diameter, 10009 is 2 1/2" and 10008 is 3 1/2".

No. 10007	\$.60
No. 10008	1.00
No. 1000985
No. 1002115
No. 1006536

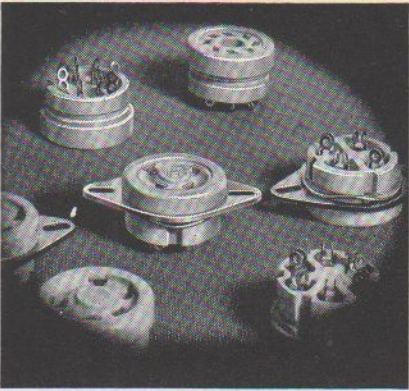
I.F. TRANSFORMERS

The Millen "Designed for Application" line of I.F. transformers includes air condenser tuned, mica condenser tuned and permeability tuned types for all applications. Standard stock units are for 465, 1600 and 5000 kc. B.F.O. and Crystal Filter units also available.



JAMES MILLEN

MALDEN · MASSACHUSETTS



TUBE SOCKETS DESIGNED FOR APPLICATION

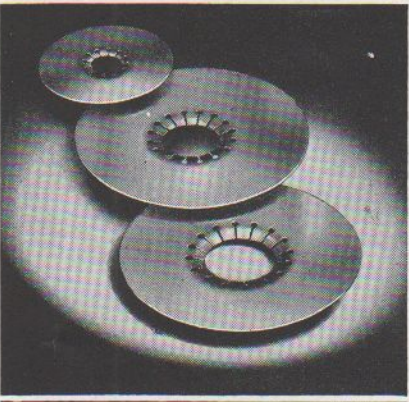
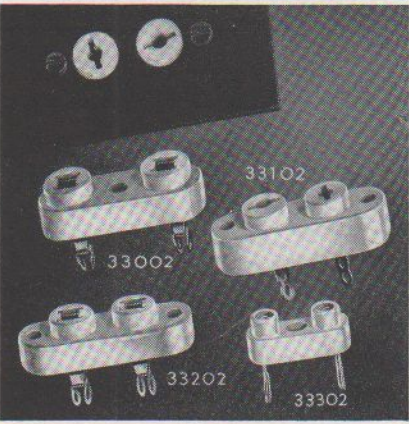
MODERN SOCKETS for MODERN TUBES! Long Flashover path to chassis permits use with transmitting tubes, 866 rectifiers, etc. Long leakage path between contacts. Contacts are type proven by hundreds of millions already in government, commercial and broadcast service, to be extremely dependable. Sockets may be mounted either with or without metal flange. Mounts in standard size chassis hole. All types have barrier between contacts and chassis. All but octal and crystal sockets also have barriers between individual contacts in addition.

The No. 33888 shield is for use with the 33008 octal socket. By its use, the electrostatic isolation of the grid and plate circuits of single-ended metal tubes can be increased to secure greater stability and gain.

The 33087 tube clamp is easy to use, easy to install, effective in function. Available in special sizes for all types of tubes. Single hole mounting. Spring steel, cadmium plated.

Cavity Socket Contact Discs, 33446 are for use with the "Lighthouse" ultra high frequency tube. This set consists of three different size unhardened beryllium copper multi-finger contact discs. Heat treating instructions forwarded with each kit for hardening after spinning or forming to frequency requirements.

Voltage regulator dual contact bayonet socket, 33991 black Bakelite insulation and 33992 with low loss high leakage mica filled Bakelite insulation.



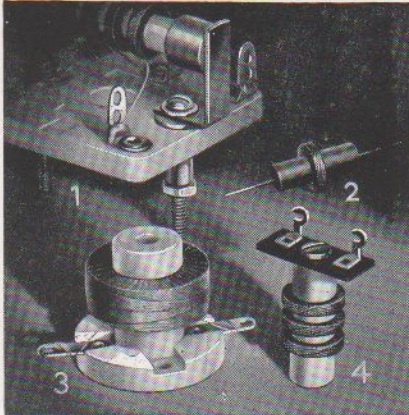
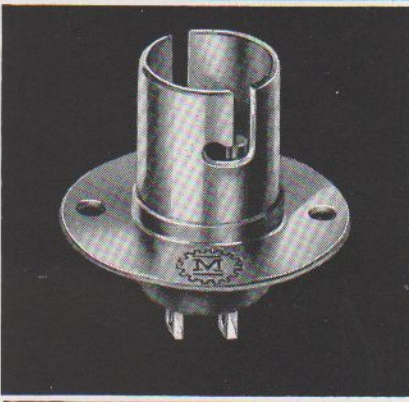
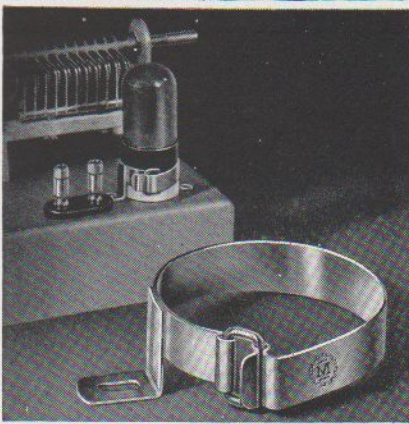
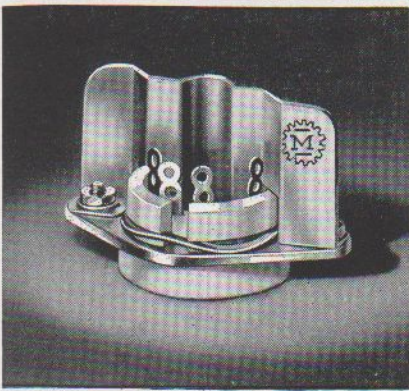
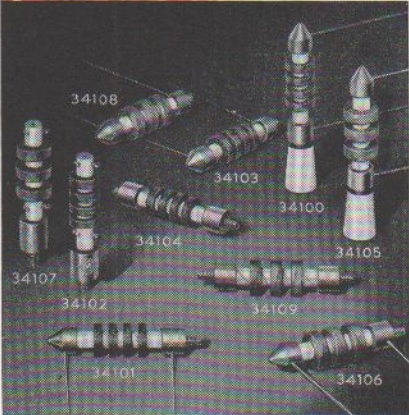
No. 33004.....	\$.27
No. 33005.....	.27
No. 33006.....	.27
No. 33007.....	.34
No. 33008.....	.27
No. 33888.....	.18
No. 33087.....	.30
No. 33002.....	.25
No. 33102.....	.25
No. 33202.....	.25
No. 33302.....	.21
No. 33446.....	5.00
No. 33991.....	.45
No. 33992.....	.55

RF CHOKES

Many have copied, few have equalled, and none have surpassed the genuine original design Millen Designed for Application series of midget RF Chokes. The more popular styles now in constant production are illustrated herewith. Special styles and variations to meet unusual requirements quickly furnished on high priority.

General Specifications: 2.5 mH, 250 mA for types 34100, 34101, 34102, 34103, 34104, and 1 mH, 300 mA for types 34105, 34106, 34107, 34108, 34109.

No. 34100.....	\$.36
No. 34101.....	.30
No. 34102.....	.36
No. 34103.....	.30
No. 34104.....	.36



JAMES MILLEN

MALDEN · MASSACHUSETTS



CERAMIC PLATE OR GRID CAPS

Soldering lug and contact one-piece. Lug ears annealed and solder dipped to facilitate easy combination "mechanical plus soldered" connection of cable.

No. 36001—9/16".....	\$.21
No. 36002—3/4".....	.21
No. 36004—1/4".....	.21

SNAP LOCK PLATE CAP

For Mobile, Industrial and other applications where tighter than normal grip with multiple finger 360° low resistance contact is required. Contact self-locking when cap is pressed into position. Insulated snap button at top releases contact grip for easy removal without damage to tube.

No. 36011—9/16".....	\$.60
----------------------	--------

SAFETY TERMINAL

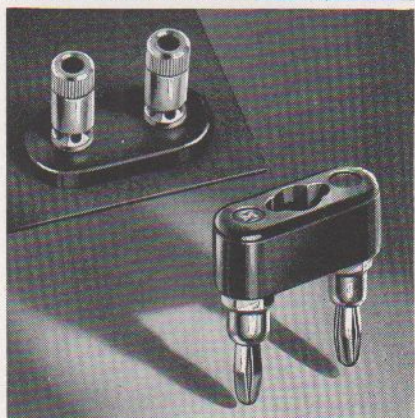
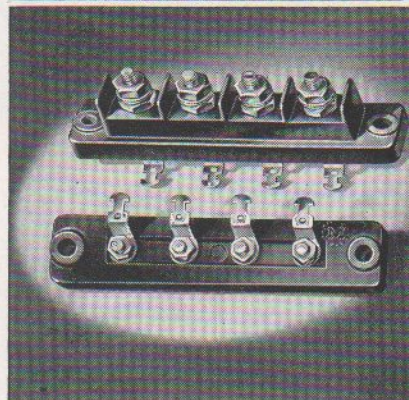
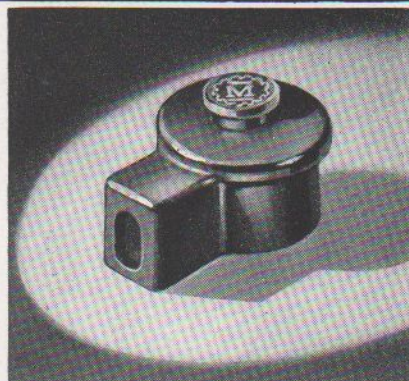
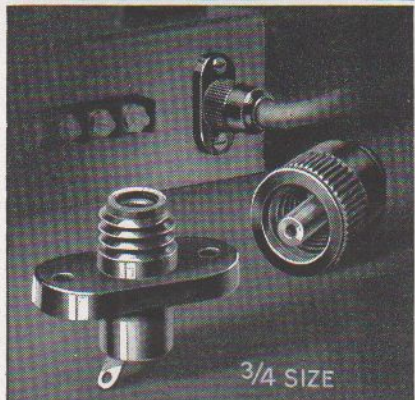
Combination high voltage terminal and thru-bushing. Tapered contact pin fits firmly into conical socket providing large area, low resistance connection. Pin is swivel mounted in cap to prevent twisting of lead wire.

No. 37001, Black or Red.....	\$.40
No. 37501, Low loss.....	.55

TERMINAL STRIP

A sturdy four-terminal strip of molded black Textolite. Barriers between contacts. "Non turning" studs, threaded 8/32 each end.

No. 37104.....	\$.60
----------------	--------



POSTS, PLATES and PLUGS

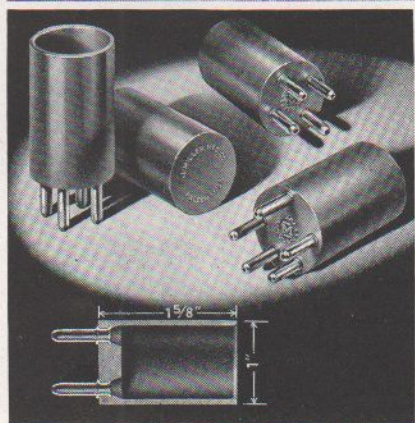
Designed for Application! Compact, easy to use. Made in black and red regular bakelite as well as low loss brown mica filled bakelite for R.F. uses. Posts have captive head.

No. 37202 Plates.....	\$.30
No. 37212 Plugs.....	.70
No. 37222 Posts.....	.40

STEATITE TERMINAL STRIPS

Terminal and lug are one piece. Lugs are Navy turret type and are free floating so as not to strain steatite during wide temperature variations. Easy to mount with series of round holes for integral chassis bushings.

No. 37302.....	\$.60
No. 37303.....	.70
No. 37304.....	.80
No. 37305.....	.90
No. 37306.....	1.00



MIDGET COIL FORMS

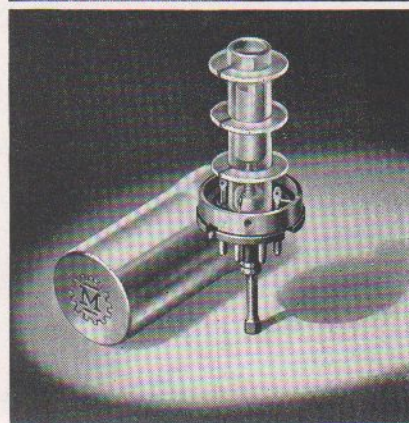
Made of low loss mica filled brown bakelite. Guide funnel makes for easy threading of leads through pins.

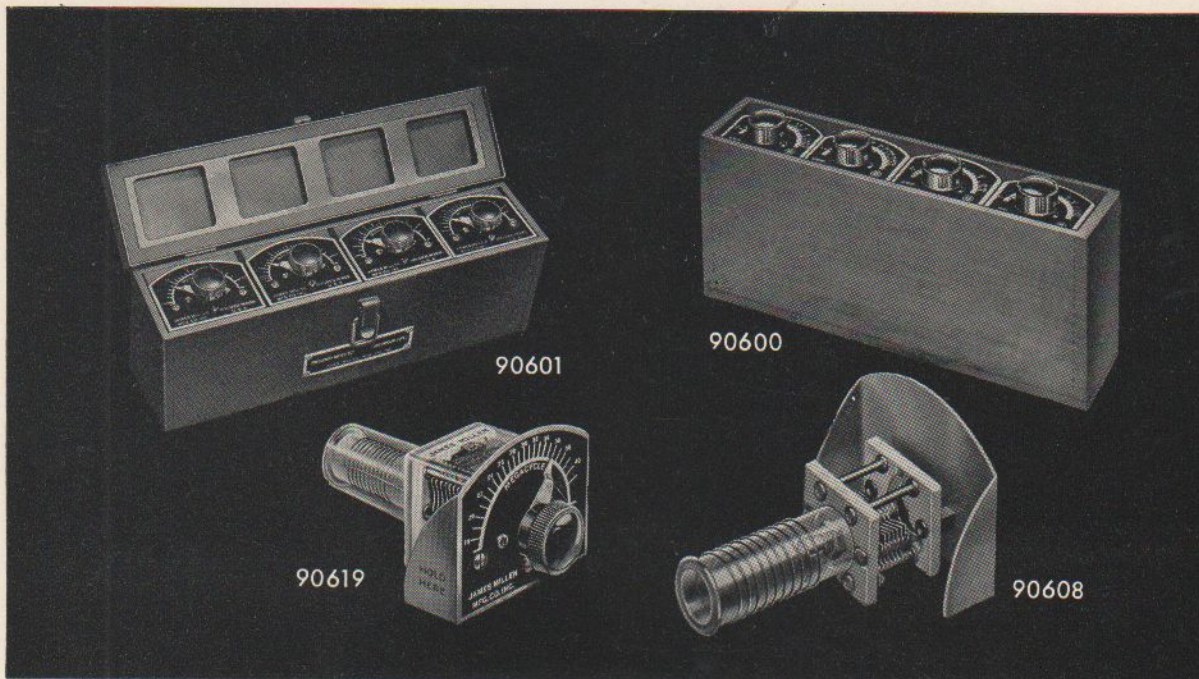
No. 45000.....	\$.45
No. 45004.....	.45
No. 45005.....	.35

TUNABLE COIL FORM

Standard octal base of low loss mica-filled bakelite, polystyrene 1/2" diameter coil form, heavy aluminum shield, iron tuning slug of high frequency type, suitable for use up to 35 mc. Adjusting screw protrudes through center hole of standard octal socket.

No. 74001, with iron core.....	\$ 1.85
No. 74002, less iron core.....	1.50





Midget Absorption Frequency Meters

Many amateurs and experimenters do not realize that one of the most useful "tools" of the commercial transmitter designer is a series of very small absorption type frequency meters. These handy instruments can be poked into small shield compartments, coil cans, corners of chassis, etc., to check harmonics; parasitics; oscillator-doubler, etc., tank tuning; and a host of other such applications. Quickly enables the design engineer to find out what is really "going on" in a circuit.

Types 90605 thru 90609 are extremely small and designed primarily for engineering laboratory use where they

will be handled with reasonable care. The most useful combination being the group of four under code No. 90600 and covering the total range of from 3.0 to 140 megacycles. When purchased in sets of four under code No. 90600 a convenient carrying and storage case is included. Series 90601 are slightly larger and very much more rugged. They are further protected by a contour fitting transparent polystyrene case to protect against damage and dirt. This latter series is designed primarily for field use and are not quite as convenient for laboratory use as the 90605 thru 90608 types. All types have dials directly calibrated in frequency.

Code	Description	Net Price
90604	Range 160 to 210 mc.	\$ 6.00
90605	Range 3.0 to 10 mc.	4.50
90606	Range 9.0 to 23 mc.	4.50
90607	Range 23 to 60 mc.	4.50
90608	Range 50 to 140 mc.	4.50
90609	Range 130 to 170 mc.	6.00
90610	Range 105 to 150 mc.	6.00
90619	Range 350 to 1000 kc.—Neon Indicator	15.00
90620	Range 150 to 350 kc.—Neon Indicator	15.00
90625	Range 2 to 6 mc.—Neon Indicator	15.00
90626	Range 5.5 to 15 mc.—Neon Indicator	15.00
90600	Complete set of 90605 thru 90608, in case	18.00
90601	Complete set Field type Frequency Meters in metal carrying case 1.5 to 40 mc.	29.00

DISTRICT SALES OFFICES

NEW YORK
Cooper-DiBlasi
259 W. 14th Street

PHILADELPHIA
L. D. Lowery
1343 Arch Street

BOSTON
Harry Gerber
739 Boylston Street

SEATTLE
V. Jensen
2616 Second Avenue

INDIANAPOLIS
V. MacNabb
915 Riveria Drive

KANSAS CITY
J. O. Schmitz
34th & Broadway Aves.

CLEVELAND
E. J. Wall
365 Morewood Prkwy.

SAN FRANCISCO
Russ Hines
234 Ninth Street

CHICAGO
G. G. Ryan
549 W. Washington Blvd.

FLORIDA
Frank C. Fassett
P.O. Box 1335, Tampa

DALLAS
E. L. Wilks
1212 Camp Street

LOS ANGELES
W. Bert Knight
908 Venice Blvd.

GREENSBORO, N. C.
Harrell, Aitcheson & Adams,
Inc.

P.O. Box 1154

MINNEAPOLIS
Elliott Equipment Co.
712 6th Avenue South

CANADA
H. R. Gray
58 Wellington Street East
Toronto

EXPORT
Carl Lohman Janik
9 Rockefeller Plaza
New York, N. Y.

JAMES MILLEN

MAIN OFFICE



MFG. CO., INC.

AND FACTORY

150 EXCHANGE ST., MALDEN, MASSACHUSETTS, U. S. A.

Copyrighted 1948 by J. M. Mfg. Co., Inc.
Printed in U. S. A.